

750 Watt C-Band Rack Mount High Power Amplifier



FEATURES

- *Touch screen interface*
- *Compact 4RU chassis*
- *Built-in redundancy controller*
- *Extended frequency bands available*
- *Ethernet interface, remote diagnostics*
- *Parameter trend analysis*

The **XTRT-750C** is a highly efficient rack mountable traveling wave tube amplifier (TWTA) designed for fixed and mobile uplink applications. The unit includes RF gain control, a solid state pre-amplifier, RF filters, cooling, and monitoring and control (M&C) systems. Rack space is conserved because the amplifier occupies only 4 rack units (7 inches) of a standard 19 inch rack cabinet. Nominal weight is 75 pounds.

The **XTRT-750C** is a 750W C-band amplifier with a touch screen front panel for easy customer interface. The display shows HPA status, parameter trend analysis and event logs, and remote diagnostics can be easily performed via the Ethernet interface. Also, because the display can show and control waveguide switches or a combiner, the need for separate external controllers is eliminated for common architectures.

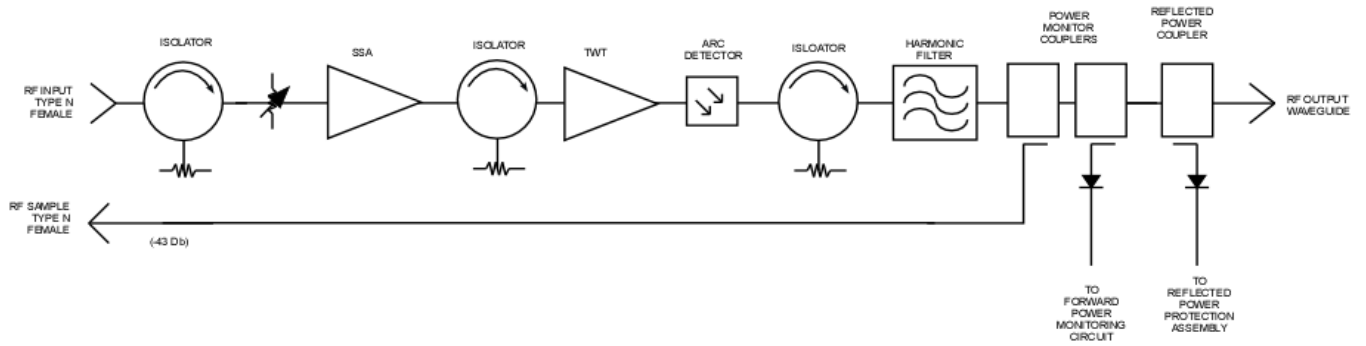
The **XTRT-750C** incorporates high efficiency, dual stage collector TWTs. Reliability is enhanced because both prime power consumption and internal operating temperatures are reduced for both the linear and saturated modes of operation. Depending upon user requirements these amplifiers can be configured for either single thread or redundant system operation.



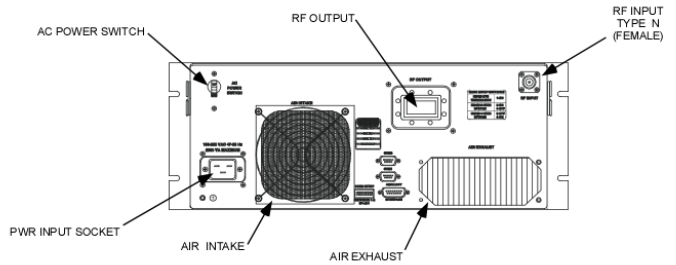
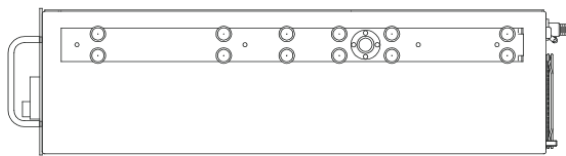
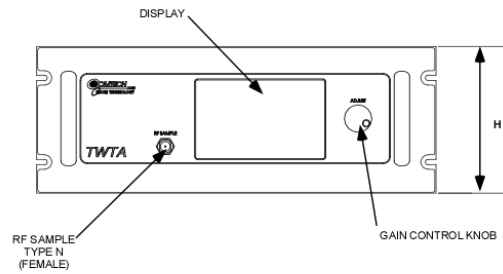
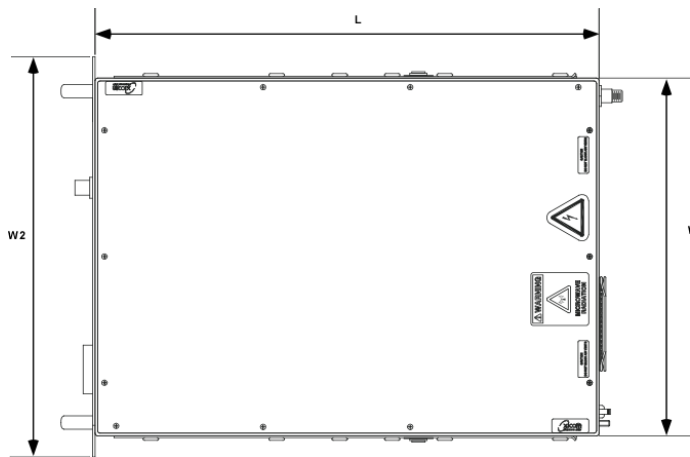
PERFORMANCE SPECIFICATION

Parameters	XTRT-750C
FREQUENCY RANGE (extended frequency coverage available)	5.850 to 6.425 GHz (5.850 to 6.650 GHz) (5.850 to 6.725 GHz) (6.725 to 7.025 GHz)
OUTPUT POWER	
Traveling Wave Tube	750 W
Rated Power @ Amplifier Flange (minimum)	650 W
GAIN	
Large Signal (minimum)	70 dB
Small Signal (minimum)	75 dB
Attenuator Range (continuous)	25 dB
Maximum SSG Variation Over:	
Any Narrow Band	1.0 dB per 40 MHz
Full Band	2.5 dB/575 MHz
Slope (maximum)	± 0.04 dB/MHz
Stability, 24 hr. (maximum)	± 0.25 dB
Stability, Temperature (maximum)	± 1.0 dB over temperature range at any frequency
INTERMODULATION (maximum) with two equal carriers	-18 dBc @ 4 dB total output power backoff (-26 dBc with linearizer option)
HARMONIC OUTPUT (maximum)	-60 dBc
AM/PM CONVERSION (maximum)	2.5°/dB at 6 dB below rated power (2°/dB @ 3 dB below rated power with optional linearizer)
NOISE POWER (maximum)	
Transmit Band	-70 dBW/4kHz
Receive Band	-150 dBW/4 kHz 3.7 to 4.2 GHz
GROUP DELAY (maximum)	
Bandwidth	Any 40 MHz
Linear	0.01 nS/MHz
Parabolic	0.005 nS/MH ²
Ripple	0.5 nS/Pk-Pk
RESIDUAL AM NOISE (maximum)	-50 dBc to 10 kHz -20 (1.5 + logf) dBc to 500 kHz -85 dBc above 500 kHz
PHASE NOISE (maximum)	12 dB below IESS phase noise profile AC fundamental -50 dBc Sum of all spurs -47 dBc
VSWR	
Input (maximum)	1.3:1
Output (maximum)	1.3:1

BLOCK DIAGRAM



OUTLINE DRAWING



RF OUTPUT:	CPR-137G
Nominal Weight: 75 lbs (34.02 kg)	

DIMENSIONS		
	INCHES	CENTIMETERS
W1	17.00	43.18
W2	19.00	48.26
L	24.00	60.96
H	6.97	17.70

PRIME POWER

180 to 260 VAC
 47 to 63 Hz, Single Phase
 2450 VA (maximum)
 0.95 Minimum Prime Power Factor



ENVIRONMENT

NONOPERATING TEMPERATURE RANGE	-50°C to +70°C
OPERATING TEMPERATURE RANGE	-10°C to +50°C (2°C/1000 Feet Derating)
HUMIDITY	Up to 95% Noncondensing
ALTITUDE	10,000 Feet MSL (maximum)
SHOCK AND VIBRATION	Normal Transportation
COOLING	Forced Air: 250 CFM (typical)

INTERFACE

	Type	Function	
CONTROLS	LOCAL	Local/Remote	AC Power On/OFF
	LOCAL AND REMOTE	Gain	High Voltage ON/OFF
		Min/Max Power Alarm/Fault	Audio Alarm ON/OFF
		Reflected Power Alarm/Fault	Units (Watts, dBm, dBW)
		Fault Reset	Lamp Test
		Heater Standby ON/OFF	System
STATUS	FRONT PANEL LCD	Standby	Power
		Local	Remote
		Summary Fault	High Voltage ON/OFF
		Heater Time Out (FTD)	Heater Standby
		Power Out	Beam Hours
		Reflected Power	Helix Current
		TWT Temperature	Helix Voltage
		Heater Hours	Faults:
		Uplink Power (option)	High VSWR
		Event Log	High Voltage
	Trend Log	Helix Current	
System Status	TWT Temperature		
	DRY FORM-C RELAY CONTACTS (2)	Summary Fault	
COMPUTER SERIAL PORT	HARDWARE INTERFACE	Two Ports: RS-232 & RS-422/RS-485 Ethernet T10/100	
	XICOM COMMAND SET	ASCII Commands	
	RF SAMPLE PORT COUPLING	-37 dB Nominal	

OPTIONS

- Extended Frequency Coverage
- 1:1, 1:2, 1:N Redundancy
- Variable Phase Combined
- Integrated Linearizer
- Integrated Block Upconverter
- Uplink Power Control

Headquarters

Comtech Xicom Technology, Inc.
 3550 Bassett Street
 Santa Clara, CA 95054
 USA

Phone: +1-408-213-3000
 Fax: +1-408-213-3001

email: sales@xicomtech.com
 Web: www.xicomtech.com

Europe Sales Office

Comtech Xicom Technology Europe, LTD
 4 Portland Business Center
 Manor House Lane
 Datchet
 Berkshire SL3 9EG
 United Kingdom

Phone: +011 44 (0) 1753 549 999
 Fax: +011 44 (0) 1753 549 997

email: sales@xicomeurope.com
 Web: www.xicomtech.com

Asia Sales Office

Comtech Xicom Technology
 150 Cecil Street
 #08-02
 Singapore 069543

Phone: +011 65 6325 1953
 Fax: +011 65 6325 1950

email: asiasales@xicomtech.com
 Web: www.xicomtech.com

